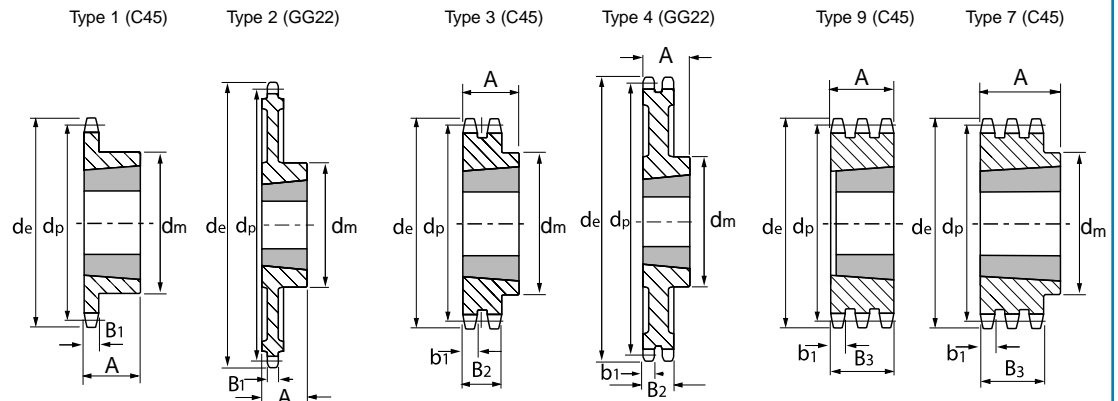
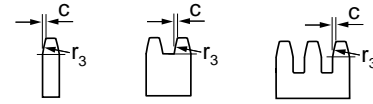


# Taper Bore Sprockets

## BS Taper Bore Sprockets

06B 3/8" x 7/32"

SPROCKET	mm	CHAIN	mm
Tooth Radius $r_3$	10.0	Pitch	9.525
Chamfer c	1.0	Width Between Inner Plates	5.720
Tooth Width $b_1$	5.2	Roller Diameter	6.350
Tooth Width $B_1$	5.3		
Tooth Width $B_2$	15.4		
Tooth Width $B_3$	25.6		



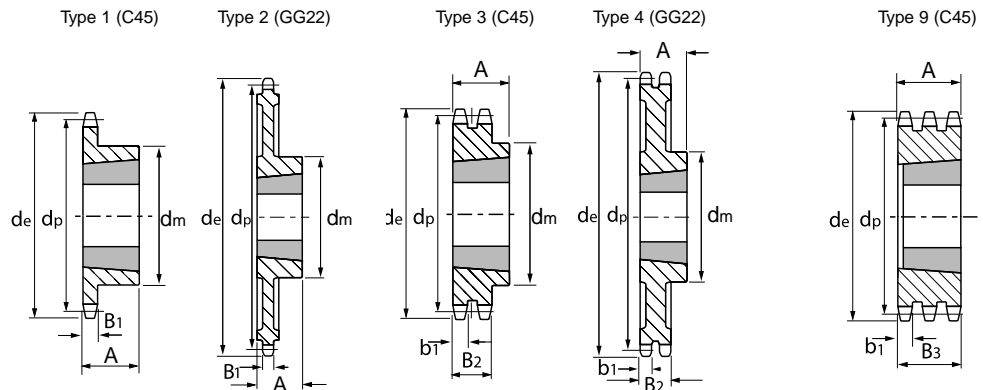
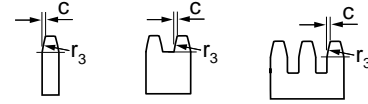
Teeth	Outer Dia $d_e$	Pitch Dia $d_p$	Simplex					Duplex					Triplex				
			Ref	Hub Dia $d_m$	Length thro' Bore	Taper	Type	Ref	Hub Dia $d_m$	Length thro' Bore	Taper	Type	Ref	Hub Dia $d_m$	Length thro' Bore	Taper	Type
17	55.3	51.83	31-17	45	22	1008	1	32-17	41	22	1008	3	33-17	-	25.6	1008	9
18	58.3	54.85	31-18	45	22	1008	1	32-18	43	22	1008	3					
19	61.3	57.87	31-19	45	22	1008	1	32-19	46	22	1008	3	33-19	-	25.6	1008	9
20	64.3	60.89	31-20	46	22	1008	1	32-20	48	22	1008	3					
21	68.0	63.91	31-21	46	22	1008	1	32-21	49	22	1008	3	33-21	-	25.6	1008	9
22	71.0	66.93	31-22	50	22	1108	1	32-22	52	22	1108	3					
23	73.5	69.95	31-23	63	25	1210	1	32-23	59	25	1210	3	33-23	-	25.6	1210	9
24	77.0	72.97	31-24	63	25	1210	1	32-24	61	25	1210	3					
25	80.0	76.02	31-25	63	25	1210	1	32-25	64	25	1210	3	33-25	-	25.6	1210	9
26	83.0	79.02	31-26	63	25	1210	1	32-26	65	25	1210	3					
27	86.0	82.02	31-27	63	25	1210	1	32-27	70	25	1210	3	33-27	-	25.6	1210	7
28	89.0	85.07	31-28	63	25	1210	1	32-28	70	25	1210	3					
30	94.7	91.12	31-30	63	25	1210	1	32-30	75	25	1210	3	33-30	79.0	38.0	1615	7
38	119.5	115.35	31-38	70	25	1210	1	32-38	80	25	1610	3	33-38	90.0	36.0	1615	7
45	140.7	136.55	31-45	70	25	1210	1	32-45	80	25	1610	3					
57	176.9	172.91	31-57	70	25	1210	2	32-57	80	25	1610	4					
76	234.9	230.49	31-76	70	25	1210	2	32-76	80	25	1610	4					
95	292.5	288.08	31-95	80	25	1210	2	32-95	90	25	1610	4					

# Taper Bore Sprockets

## BS Taper Bore Sprockets

08B 1/2" x 5/16"

SPROCKET	mm	CHAIN	mm
Tooth Radius $r_3$	13.0	Pitch	12.700
Chamfer c	1.3	Width Between Inner Plates	7.750
Tooth Width b1	7.0	Roller Diameter	8.510
Tooth Width B1	7.2		
Tooth Width B2	21.0		
Tooth Width B3	34.9		



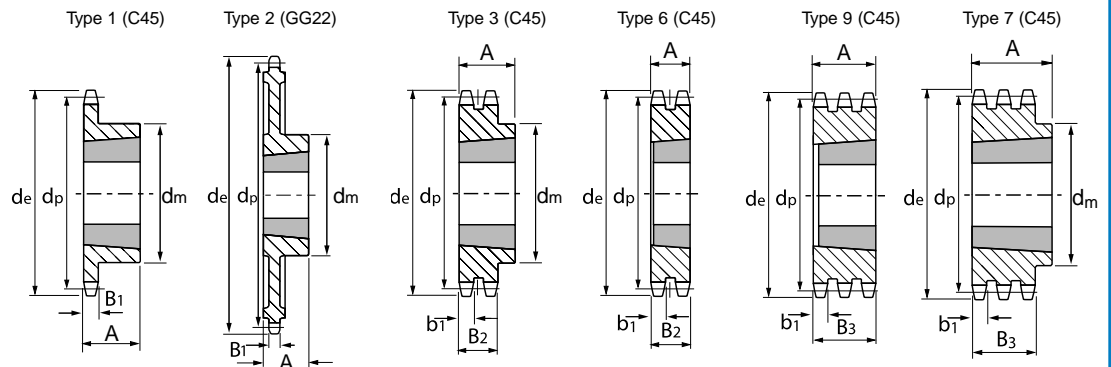
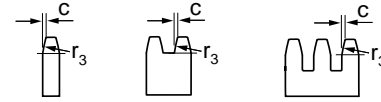
Teeth	Outer Dia de	Pitch Dia dp	Simplex					Duplex					Triplex				
			Ref	Hub Dia dm	Length thro' Bore A	Taper Bush	Type	Ref	Hub Dia dm	Length thro' Bore A	Taper Bush	Type	Ref	Hub Dia dm	Length thro' Bore A	Taper Bush	Type
15	65.5	61.90	41-15	45	22	1008	1	42-15	46	22	1008	3	43-15	-	34.9	1008	9
16	69.5	65.10	41-16	50	22	1108	1	42-16	50	22	1108	3					
17	73.6	69.11	41-17	60	25	1210	1	42-17	56	25	1210	3	43-17	-	34.9	1210	9
18	77.8	73.14	41-18	60	25	1210	1	42-18	60	25	1210	3					
19	81.7	77.16	41-19	63	25	1210	1	42-19	62	25	1210	3	43-19	-	34.9	1210	9
20	85.8	81.19	41-20	71	25	1610	1	42-20	66	25	1610	3					
21	89.7	85.22	41-21	71	25	1610	1	42-21	70	25	1610	3	43-21	-	34.9	1610	9
22	93.8	89.24	41-22	71	25	1610	1	42-22	76	25	1610	3					
23	98.2	93.27	41-23	76	25	1610	1	42-23	79	25	1610	3	43-23	-	34.9	1610	9
24	101.8	97.29	41-24	76	25	1610	1	42-24	84	25	1610	3					
25	105.8	101.33	41-25	76	25	1610	1	42-25	87	32	2012	3	43-25	-	34.9	2012	9
26	110.0	105.36	41-26	76	25	1610	1	42-26	87	32	2012	3					
27	114.0	109.40	41-27	76	25	1610	1	42-27	87	32	2012	3	43-27	-	34.9	2012	9
28	118.0	113.42	41-28	90	32	2012	1	42-28	87	32	2012	3					
30	126.1	121.50	41-30	90	32	2012	1	42-30	87	32	2012	3	43-30	-	34.9	2012	9
38	158.6	153.80	41-38	90	32	2012	1	42-38	100	32	2012	3	43-38	-	34.9	2012	9
45	188.0	182.07	41-45	100	32	2012	1	42-45	100	32	2012	4					
57	236.4	230.54	41-57	100	32	2012	2	42-57	100	32	2012	4					
76	313.3	307.33	41-76	100	32	2012	2	42-76	100	32	2012	4					
95	390.1	384.11	41-95	100	32	2012	2	42-95	100	32	2012	4					

# Taper Bore Sprockets

## BS Taper Bore Sprockets

10B 5/8" x 3/8"

SPROCKET	mm	CHAIN	mm
Tooth Radius $r_3$	16.0	Pitch	15.875
Chamfer c	1.6	Width Between Inner Plates	9.650
Tooth Width $b_1$	9.0	Roller Diameter	10.160
Tooth Width $B_1$	9.1		
Tooth Width $B_2$	25.5		
Tooth Width $B_3$	42.1		



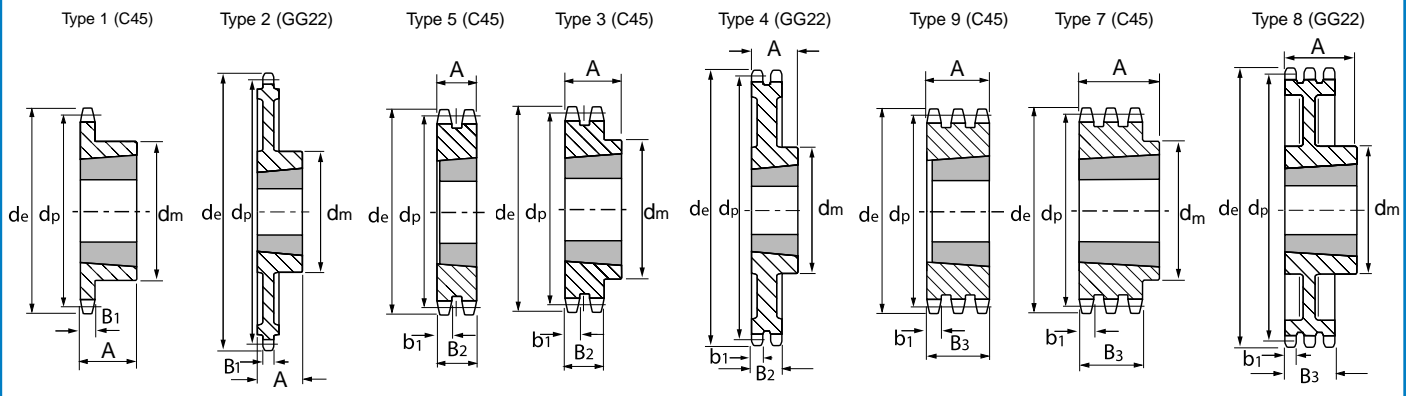
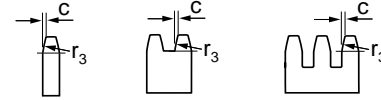
Teeth	Outer Dia $d_e$	Pitch Dia $d_p$	Simplex					Duplex					Triplex					
			Ref	Hub Dia $d_m$	Length thro' Bore	Taper	Type	Ref	Hub Dia $d_m$	Length thro' Bore	Taper	Type	Ref	Hub Dia $d_m$	Length thro' Bore	Taper	Type	
13	73.0	66.32	51-13	47	22	1008	1											
14	78.0	71.34	51-14	52	22	1108	1											
15	83.0	76.36	51-15	60	25	1210	1	52-15	-	25.5	1210	3	53-15	-	42.1	1210	9	
16	88.0	81.37	51-16	70	25	1610	1	52-16	-	25.5	1610	3						
17	93.0	86.36	51-17	71	25	1610	1	52-17	-	25.5	1610	3	53-17	-	42.1	1210	9	
18	98.3	91.42	51-18	75	25	1610	1	52-18	-	25.5	1610	3						
19	103.3	96.45	51-19	75	25	1610	1	52-19	-	25.5	1610	3	53-19	-	42.1	1615	9	
20	108.4	101.49	51-20	75	25	1610	1	52-20	-	25.5	1610	3						
21	113.4	106.52	51-21	76	25	1610	1	52-21	-	25.5	1610	3	53-21	-	42.1	1615	9	
22	118.0	111.55	51-22	76	25	1610	1	52-22	-	25.5	1610	3						
23	123.4	116.58	51-23	76	25	1610	1	52-23	-	25.5	1610	3	53-23	-	42.1	2012	9	
24	128.3	121.62	51-24	90	25	1610	1	52-24	90	32.0	2012	6						
25	134.0	126.66	51-25	90	32	2012	1	52-25	90	32.0	2012	6	53-25	105	45.0	2517	7	
26	139.0	131.70	51-26	90	32	2012	1	52-26	90	32.0	2012	6						
27	144.0	136.75	51-27	90	32	2012	1	52-27	90	32.0	2012	6	53-27	110	45.0	2517	7	
28	148.7	141.78	51-28	90	32	2012	1	52-28	90	32.0	2012	6						
30	158.8	151.87	51-30	90	32	2012	1	52-30	90	32.0	2012	6	53-30	120	45.0	2517	7	
38	199.2	192.24	51-38	100	32	2012	1	52-38	108	45.0	2517	6						
45	235.0	227.58	51-45	100	32	2042	2											
57	296.0	288.18	51-57	100	32	2012	2											
76	392.1	384.16	51-76	100	32	2012	2											
95	488.5	480.14	51-95	110	45	2517	2											

# Taper Bore Sprockets

## BS Taper Bore Sprockets

12B 3/4" x 7/16"

SPROCKET	mm	CHAIN	mm
Tooth Radius $r_3$	19.0	Pitch	19.050
Chamfer c	2.0	Width Between Inner Plates	11.680
Tooth Width b1	10.8	Roller Diameter	12.070
Tooth Width B1	11.1		
Tooth Width B2	30.3		
Tooth Width B3	49.8		



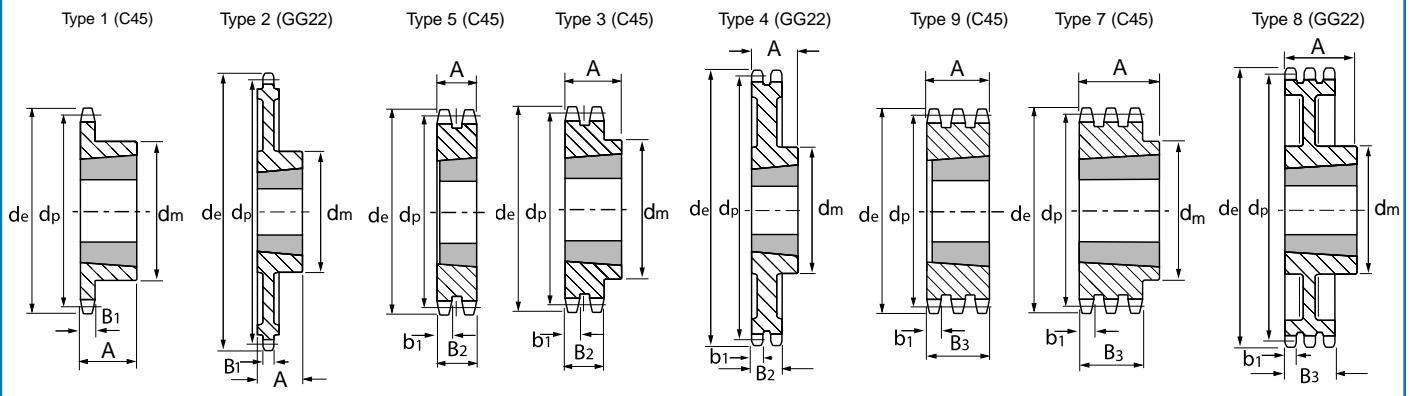
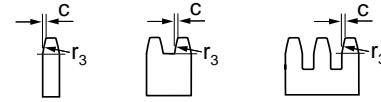
Teeth	Outer Dia de	Pitch Dia dp	Simplex					Duplex					Triplex					
			Ref	Hub Dia dm	Length thro' Bore A	Taper	Type	Ref	Hub Dia dm	Length thro' Bore A	Taper	Type	Ref	Hub Dia dm	Length thro' Bore A	Taper	Type	
13	87.5	79.59	61-13	60	25	1210	1											
14	93.6	85.61	61-14	70	25	1610	1											
15	99.8	91.63	61-15	70	25	1610	1	62-15	-	30.3	1610	5	63-15	-	49.8	1615	9	
16	105.5	97.65	61-16	75	25	1610	1	62-16	-	30.3	1610	5						
17	111.5	103.67	61-17	76	25	1610	1	62-17	-	30.3	1610	5	63-17	-	49.8	1615	9	
18	118.0	109.71	61-18	90	32	2012	1	62-18	90.0	32.0	2012	3						
19	124.2	115.75	61-19	90	32	2012	1	62-19	90.0	32.0	2012	3	63-19	-	49.8	2012	9	
20	129.7	121.78	61-20	90	32	2012	1	62-20	108.0	45.0	2517	3						
21	136.0	127.82	61-21	102	45	2517	1	62-21	108.0	45.0	2517	3	63-21	-	49.8	2517	9	
22	141.8	133.86	61-22	102	45	2517	1	62-22	108.0	45.0	2517	3						
23	149.0	139.90	61-23	108	45	2517	1	62-23	108.0	45.0	2517	3	63-23	-	49.8	2517	9	
24	153.9	145.94	61-24	108	46	2517	1	62-24	108.0	45.0	2517	3						
25	160.0	152.00	61-25	108	45	2517	1	62-25	108.0	45.0	2517	3	63-25	-	49.8	2517	9	
26	165.9	158.04	61-26	108	45	2517	1	62-26	108.0	45.0	2517	3						
27	172.3	164.00	61-27	108	45	2517	1	62-27	108.0	45.0	2517	3	63-27	140.0	51.0	3020	7	
28	178.0	170.13	61-28	108	45	2517	1	62-28	108.0	45.0	2517	3						
30	190.5	182.25	61-30	108	45	2517	1	62-30	108.0	45.0	2517	3	63-30	140.0	51.0	3020	7	
38	239.0	230.69	61-38	108	45	2517	1	62-38	140.0	51.0	3020	3	63-38	140.0	51.0	3020	7	
45	282.5	273.10	61-45	108	45	2517	2	62-45	140.0	51.0	3020	4	63-45	140.0	51.0	3020	8	
57	355.4	345.81	61-57	108	45	2517	2	62-57	140.0	51.0	3020	4	63-57	140.0	51.0	3020	8	
76	469.9	460.99	61-76	108	45	2517	2	62-76	140.0	51.0	3020	4	63-76	140.0	51.0	3020	8	
95	585.1	576.17	61-95	108	45	2517	2	62-95	140.0	51.0	3020	4	63-95	140.0	76.0	3030	8	

# Taper Bore Sprockets

## BS Taper Bore Sprockets

16B 1" x 17.02mm

SPROCKET	mm	CHAIN	mm
Tooth Radius $r_3$	26.0	Pitch	25.400
Chamfer c	2.5	Width Between Inner Plates	17.020
Tooth Width b1	15.8	Holler Diameter	15.880
Tooth Width B1	16.2		
Tooth Width B2	47.7		
Tooth Width B3	79.6		



Teeth	Outer Dia de	Pitch Dia dp	Simplex					Duplex					Triplex					
			Ref	Hub Dia dm	Length thro' Bore A	Taper	Type	Ref	Hub Dia dm	Length thro' Bore A	Taper	Type	Ref	Hub Dia dm	Length thro' Bore A	Taper	Type	
13	117.0	106.12	81-13	73	38	1615	1											
14	125.0	114.15	81-14	76	38	1615	1											
15	133.0	122.17	81-15	76	38	1615	1	82-15	-	47.7	2012	5						
16	141.0	130.20	81-16	90	32	2012	1	82-16	-	47.7	2517	5						
17	149.0	138.22	81-17	90	32	2012	1	82-17	-	47.7	2517	5	83-17	-	79.6	2517	9	
18	157.0	146.28	81-18	108	45	2517	1	82-18	-	47.7	2517	5						
19	165.2	154.33	81-19	108	45	2517	1	82-19	-	47.7	2517	5	83-19	-	79.6	3030	9	
20	173.2	162.38	81-20	108	45	2517	1	82-20	-	47.7	2517	5						
21	181.2	170.43	81-21	110	45	2517	1	82-21	140.0	51.0	3020	3	83-21	-	79.6	3030	9	
22	189.3	178.48	81-22	110	45	2517	1	82-22	140.0	51.0	3020	3						
23	197.5	186.53	81-23	110	45	2517	1	82-23	140.0	51.0	3020	3	83-23	159.0	89.0	3535	7	
24	205.5	194.59	81-24	110	45	2517	1	82-24	140.0	51.0	3020	3						
25	213.5	202.66	81-25	110	45	2517	1	82-25	140.0	51.0	3020	3	83-25	175.0	89.0	3535	7	
26	221.6	210.72	81-26	110	45	2617	1	82-26	140.0	51.0	3020	3						
27	229.6	218.79	81-27	110	45	2617	1	82-27	140.0	51.0	3020	3	83-27	175.0	89.0	3535	7	
28	237.7	226.85	81-28	110	45	2517	1	82-28	140.0	51.0	3020	3						
30	254.0	243.00	81-30	140	51	3020	1	82-30	140.0	76.0	3030	3	83-30	175.0	89.0	3535	7	
38	320.7	307.59	81-38	140	51	3020	2	82-38	140.0	76.0	3030	4	83-38	175.0	89.0	3535	8	
45	377.1	364.13	81-45	140	51	3020	2	82-45	140.0	76.0	3030	4	83-45	215.0	102.0	4040	8	
57	474.0	461.07	81-57	140	51	3020	2	82-57	175.0	89.0	3535	4	83-57	215.0	102.0	4040	8	
76	627.0	614.65	81-76	140	51	3020	2	82-76	175.0	89.0	3535	4	83-76	215.0	102.0	4040	8	
95	781.1	768.22	81-95	140	51	3020	2	82-95	215.0	102.0	4040	4	83-95	215.0	102.0	4040	8	

# Taper Bore Sprockets

## BS Taper Bore Sprockets

**20B 1.1/4" x 3/4"**

SPROCKET	mm	CHAIN	mm
Tooth Radius $r_3$	32.0	Pitch	31.750
Chamfer c	3.5	Width Between Inner Plates	19.560
Tooth Width b1	18.2	Roller Diameter	19.050
Tooth Width B1	18.5		
Tooth Width B2	54.6		
Tooth Width B3	91.0		

Type 1 (C45)

Type 2 (GG22)

Teeth	Outer Dia de	Pitch Dia dp	Ref	Simplex			
				Hub Dia dm	Length thro' Bore A	Taper Bush	Type
13	147.8	132.65	101-13	90	32	2012	1
14	157.8	142.68	101-14	108	44	2517	1
15	167.9	152.72	101-15	108	44	2517	1
16	177.9	162.75	101-16	108	44	2517	1
17	187.9	172.78	101-17	108	44	2517	1
18	198.0	182.85	101-18	108	44	2517	1
19	208.1	192.91	101-19	110	44	2517	1
20	218.1	202.98	101-20	110	44	2517	1
21	228.2	213.04	101-21	110	44	2517	1
22	238.3	223.11	101-22	110	44	2517	1
23	248.3	233.17	101-23	110	44	2517	1
24	258.4	243.23	101-24	110	44	2517	1
25	268.5	253.33	101-25	110	44	2517	1
26	278.6	263.40	101-26	110	51	3020	1
27	288.6	273.80	101-27	150	51	3020	1
28	298.7	283.56	101-28	150	51	3020	1
30	318.9	303.75	101-30	150	51	3020	1
38	399.6	384.49	101-38	160	51	3020	2
45	470.3	455.17	101-45	160	51	3020	2
57	591.5	576.36	101-57	160	51	3020	2
76	783.5	768.32	101-76	160	51	3020	2

**Aandrijfcomponenten Noord Holland B.V.**

Zuid Zijperweg 43, 1766HC Wieringerwaard

Tel: 06-23320055 / 06-57882361

Fax: 084-7409985

E-mail: [mail@acnh.nl](mailto:mail@acnh.nl)

Internet: <http://www.acnh.nl>